

Installation Instructions

Designer Kickplates

Models 10 & 20 or G2-10 & G2-20

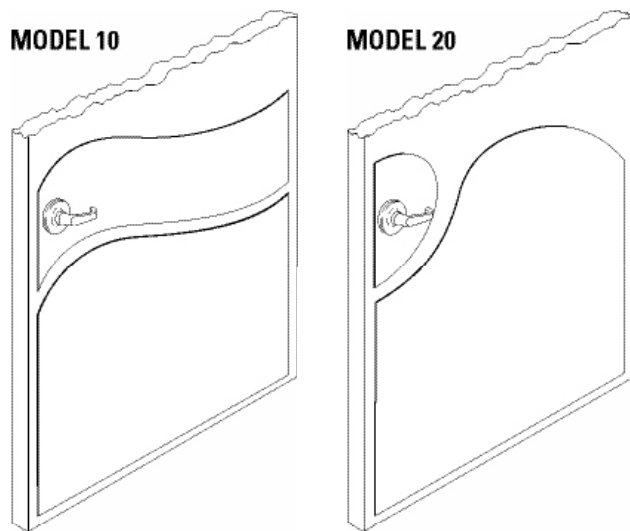
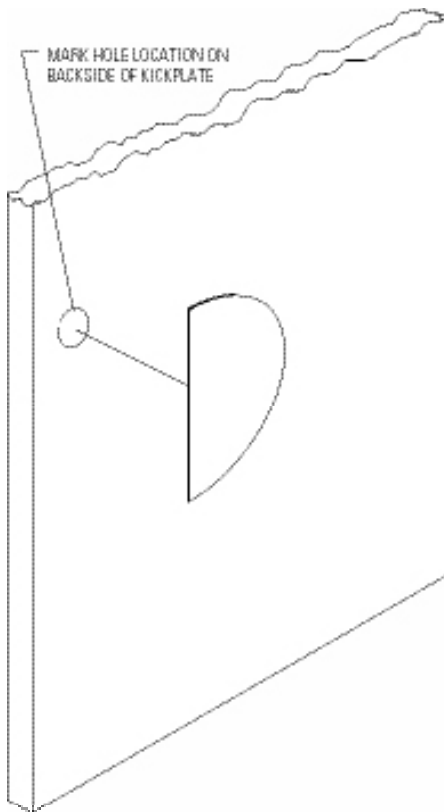


FIG. 1



Please read all instructions before installing kickplate.

Material must be stored, installed and used in environmentally controlled conditions.

1. BEFORE INSTALLATION:

- Acclimate kickplates, adhesives and door substrates to room temperature 24 hours before installation
- Allow kickplates to lie flat 24 hours before installation
- 24 hours before, during and 48 hours after installation, maintain a building temperature between 70-80° F and keep humidity below 80%
- Substrate must be dry, well sealed and free of dirt, loose paint, wax and grease. Glossy surfaces may require sanding or priming to help promote adhesion.
- Do not install kickplates on the interior side of an exterior door, in direct sunlight, direct high heat areas or where temperatures are not stable.
- Rolled Kickplates – Unroll kickplates immediately upon receipt of product. If roll set occurs, reverse roll kickplates until they lay flat.

2. CHECK DOOR CONDITIONS

Newly painted or varnished doors can be dry to the touch but may not be dry enough for installation. Check with the paint or varnish manufacturer for proper drying/curing times.

Testing for paint moisture sensitivity: Hold a wet sponge or cloth to the paint surface for 15 seconds, then rub vigorously with a cloth. If no paint or a slight amount of paint is removed the paint should be sound.

Testing paint and varnish for adhesion: Cut three small X's into the finished surface then apply a piece of clear cellophane tape over the X's. Quickly remove the tape. Inspect for any paint or varnish on the tape. No flaking indicates good adhesion.

3. REMOVE DOOR HANDLE ASSEMBLY

Remove door handle assembly. Hold top part of kickplate at the required height on the door and transfer the location of the hole for the door handle to the kickplate. Cut hole on kickplate using utility knife. See Figure 1.

IPC.445/REV.3

Installation Questions?

Contact our Installation Hotline 866.EZINPRO
For Sales & Customer Service call 800.222.5556

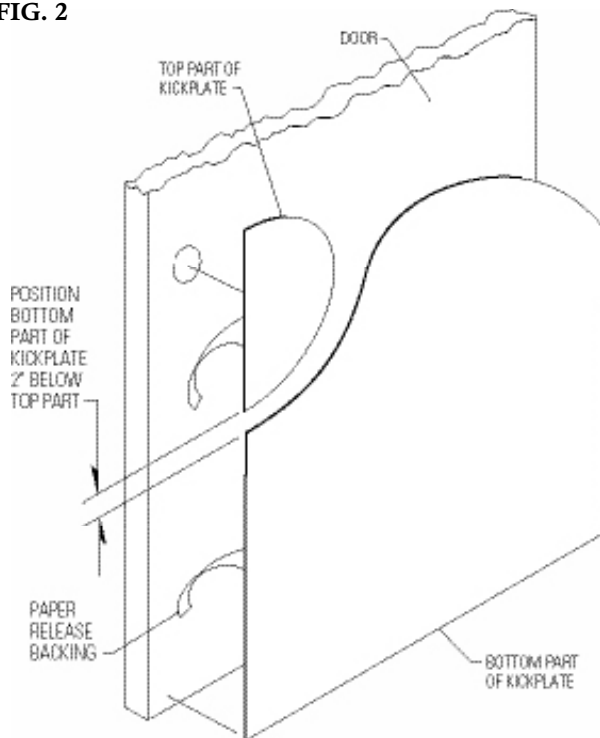
INPRO CORPORATION
Interior and Exterior Architectural Products

Installation Instructions

Designer Kickplates

Models 10 & 20 or G2-10 & G2-20

FIG. 2



4. TAPE-ON INSTALLATION

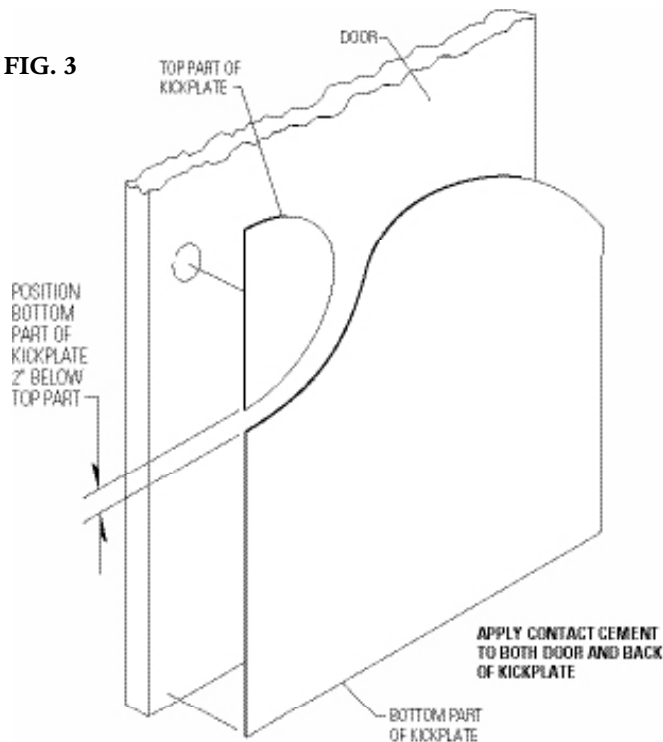
Peel paper release backing from the top part of kickplate and position on the door. Apply pressure with an IPC extension roller over the entire surface to eliminate air pockets and ensure complete adhesion. Position the bottom part of kickplate so it is 2" below the bottom edge of the top part. Install bottom part of kickplate in the same manner as the top part. Reattach door assembly. See Figure 2.

5. FASTBOND 30 CONTACT CEMENT INSTALLATION

Kickplates larger than 16 square feet require Fastbond 30 Contact Cement for proper adhesion. (see container for complete instructions and precautions)

Apply contact cement with brush or roller to the door and the back of the kickplate. Let the contact cement dry completely. After contact cement is dry, the installation must be completed within four hours. Properly position the top part of kickplate on the door. Apply pressure to the kickplate with an IPC extension roller over the entire surface of the kickplate to eliminate air pockets and ensure complete adhesion. Position the bottom part of kickplate so it is 2" below the bottom edge of the top part. Install bottom part of kickplate in the same manner as the top part. Reattach door assembly. See Figure 3.

FIG. 3



Installation Questions?

Contact our Installation Hotline 866.EZINPRO
For Sales & Customer Service call 800.222.5556