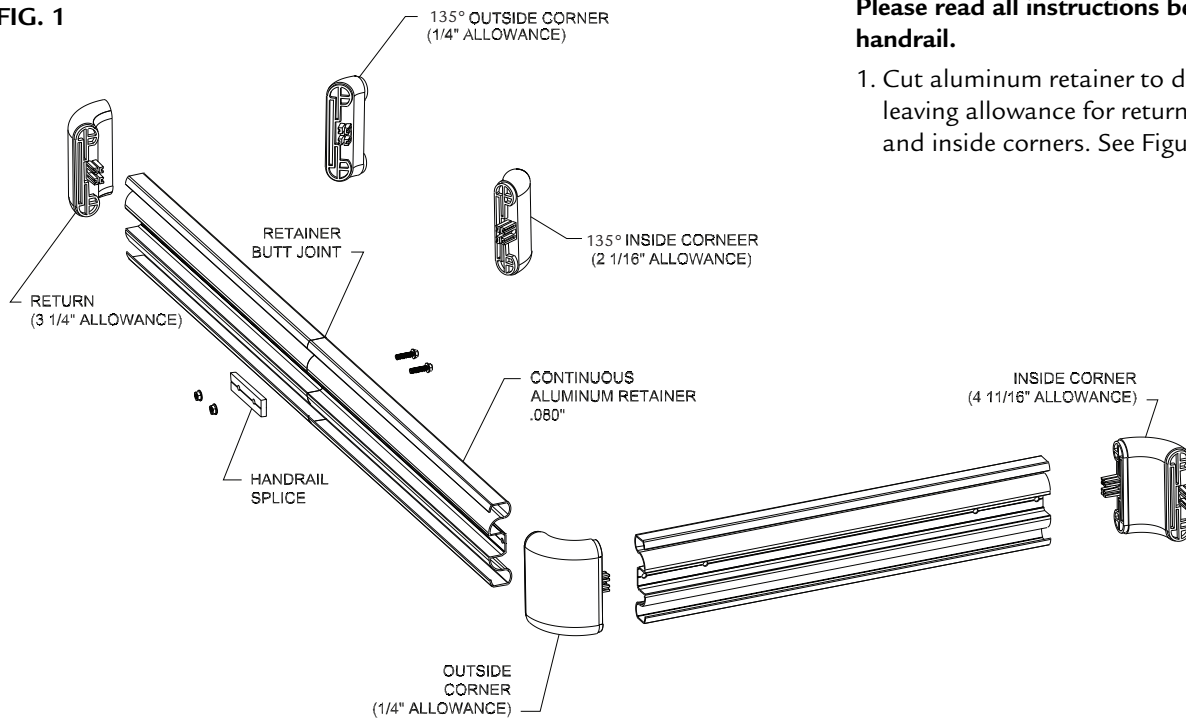


Installation Instructions

800/800W/855/G-800/G2-800 Handrails

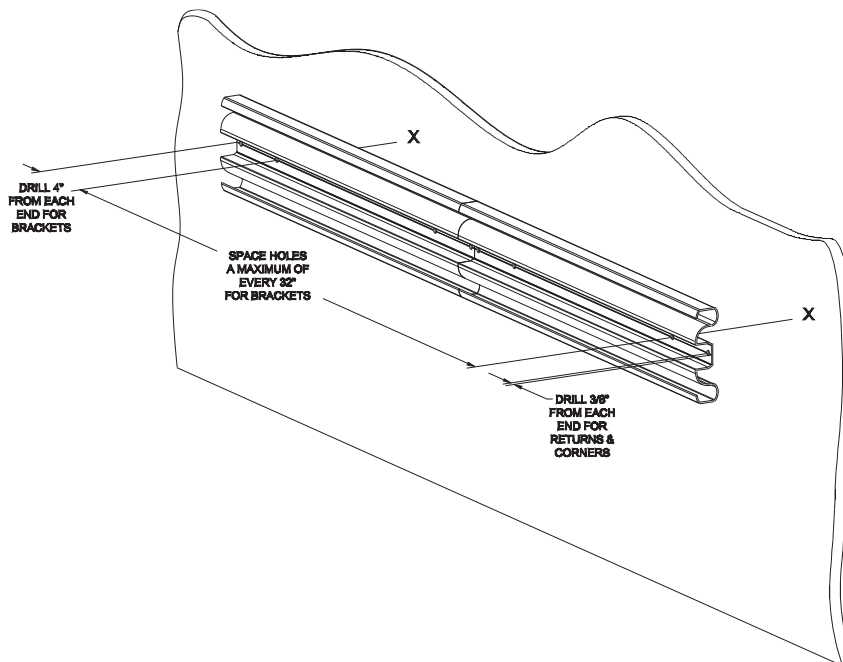
FIG. 1



Please read all instructions before installing handrail.

1. Cut aluminum retainer to desired length, leaving allowance for returns, outside corners and inside corners. See Figure 1.

FIG. 2



2. Drill holes in centerline of aluminum retainer for brackets, returns and corners using 1/4" drill bit. Position aluminum retainer against wall at desired height allowing for returns and corners. Level and mark bracket holes on wall. Drill marked holes with 3/4" drill bit for toggle bolts (drywall installation) or 1/2" drill bit for lead anchor (concrete wall installation). See Figure 2.

IPC.321/REV.9

Installation Questions?

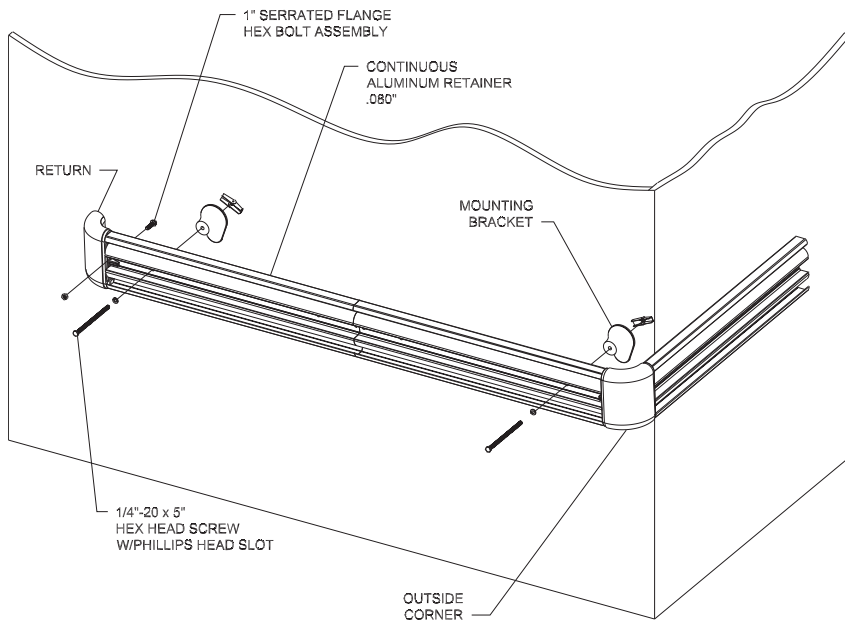
Contact our Installation Hotline 866.EZINPRO
For Sales & Customer Service call 800.222.5556

INPRO CORPORATION
Interior and Exterior Architectural Products

Installation Instructions

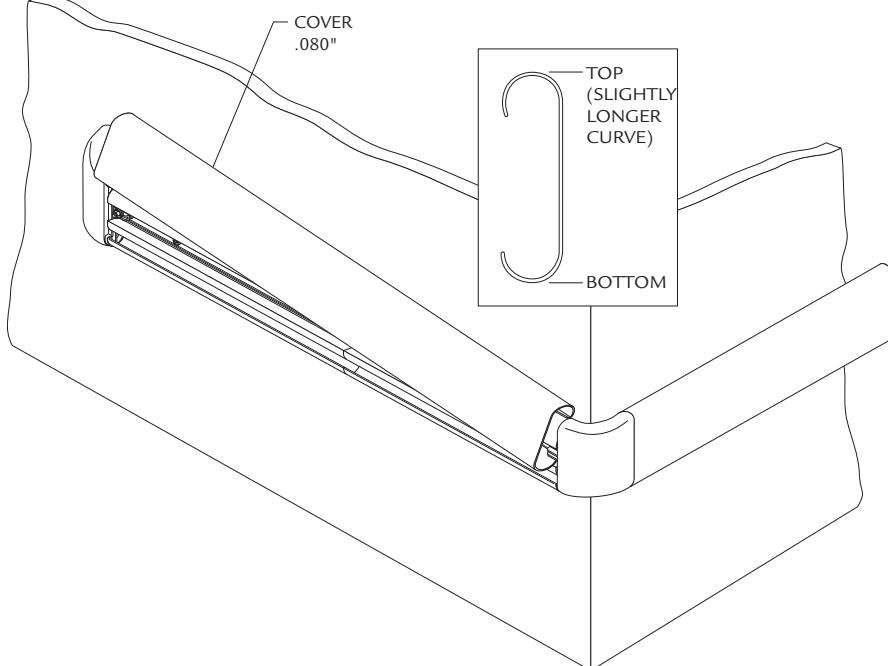
800/800W/855/G-800/G2-800 Handrails

FIG. 3



3. Attach returns and corners to retainer leaving a $1/16$ " gap between returns/corners and retainer to allow for adjustment. Loosely attach brackets to retainer. Mount on wall, level retainer and tighten screws to secure. See Figure 3.

FIG. 4



4. Cut cover to length between returns and/or corners. (Note: Distinct top and bottom for cover. Trim factory edges square before installation). Position cover on retainer and adjust returns and/or corners for a tight fit. Snap cover on retainer by starting at top and pivoting over the bottom of retainer. See Figure 4.

Note: For 855 Covers Only – When continuous runs are over 12', covers should be installed in consecutive order using the numbers found on the back of covers. This ensures proper alignment of accent strip.



Installation Questions?

Contact our Installation Hotline 866.EZINPRO
For Sales & Customer Service call 800.222.5556