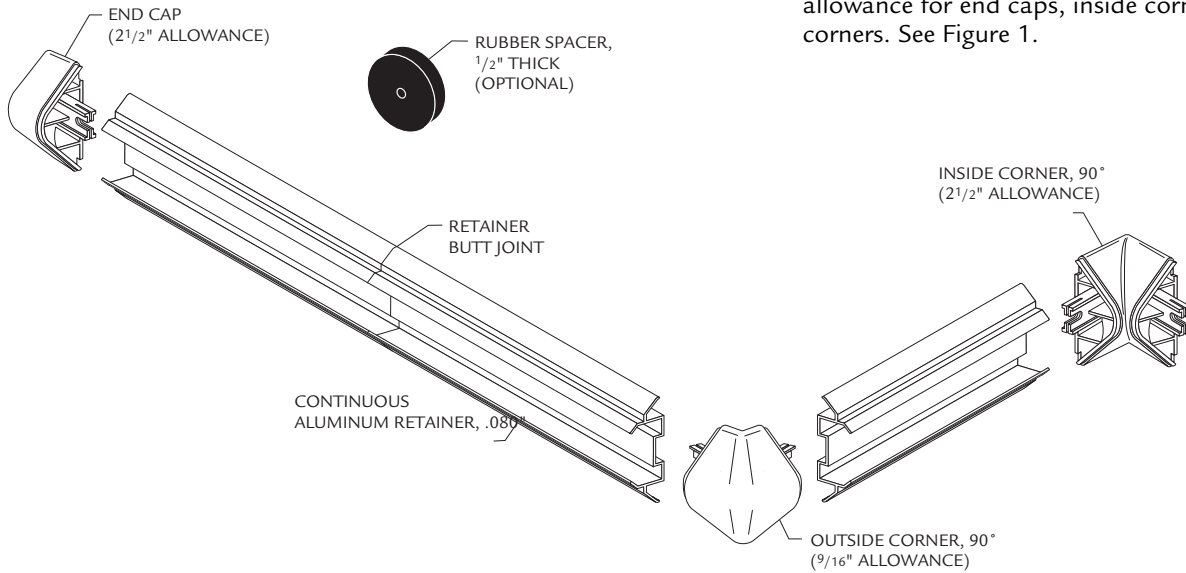


# Installation Instructions

## 1300/G-1300/G2-1300 Wall Guard

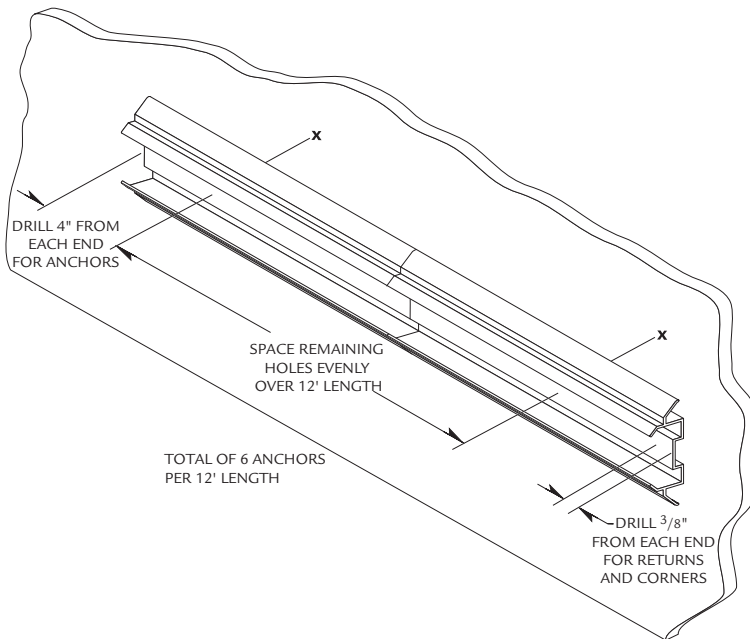
FIG. 1



Please read all instructions before installing wall guard.

1. Cut aluminum retainer to desired length, leaving allowance for end caps, inside corners and outside corners. See Figure 1.

FIG. 2



2. Drill holes in centerline of retainer using 1/4" drill bit. Position retainer on wall allowing for end caps/corners. Level and mark anchor holes. See Figure 2.

IPC.343/REV.5



### Installation Questions?

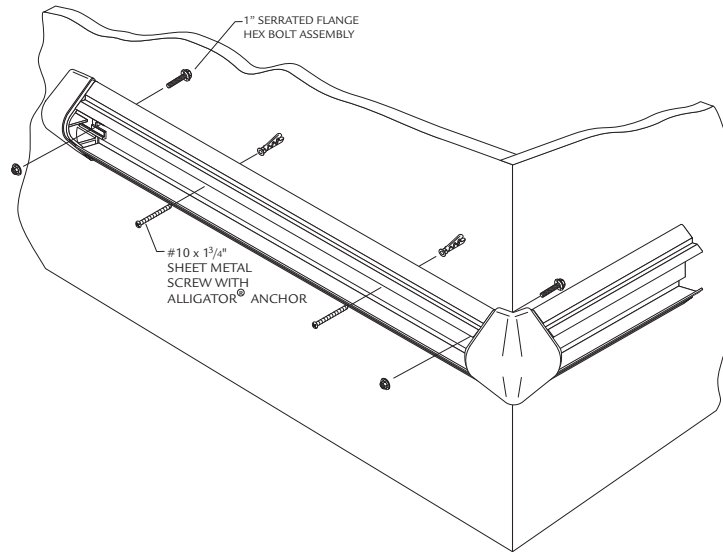
Contact our Installation Hotline 866.EZINPRO  
For Sales & Customer Service call 800.222.5556

**INPRO**  
**IPC** Interior Protection Products  
and Decorative Surfaces

# Installation Instructions

## 1300/G-1300/G2-1300 Wall Guard

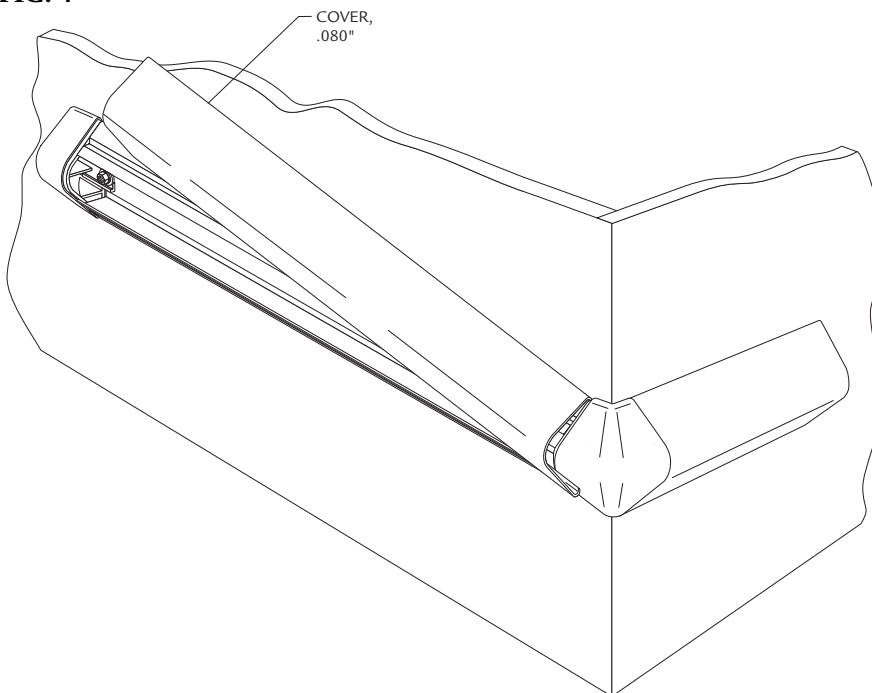
FIG. 3



3. Drill marked holes on wall using a 1/4" drill bit and position Alligator anchors into holes. Slide end caps and corners onto the retainer and secure, leaving a 1/16" gap between end caps/corners and retainer to allow for adjustment. Mount assembled retainer on wall and tighten screws to secure. See Figure 3.

NOTE: If rubber spacers are used, attach them behind the retainer at all mounting hole locations including those for end caps and corners.

FIG. 4



4. Cut the cover to length between returns and/or corners.

NOTE: Trim factory edges square before installation.

Position cover on retainer and adjust returns and/or corners for a tight fit. Starting at one end, push cover onto retainer until it snaps into place.

See Figure 4.

### Installation Questions?

Contact our Installation Hotline 866.EZINPRO  
For Sales & Customer Service call 800.222.5556