

Installation Instructions

1000/G2-1000/1000FVHandrail

Please read all instructions before installing handrail.

FIG. 1

1. Cut aluminum retainer to desired length, leaving allowance for returns, outside corners and inside corners. See Fig. 1.

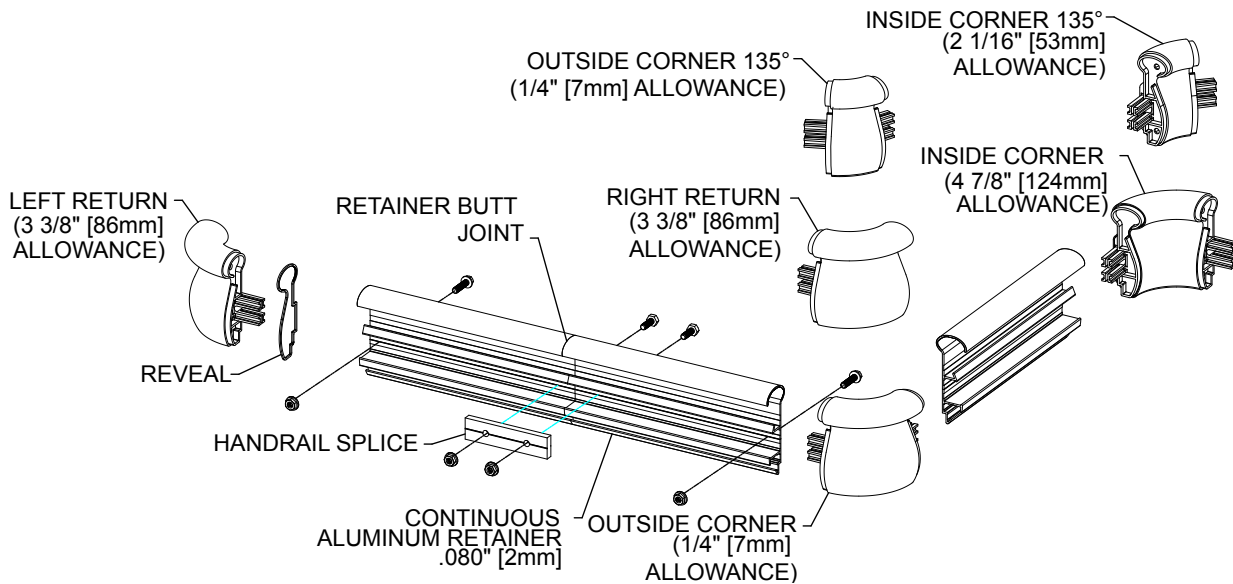
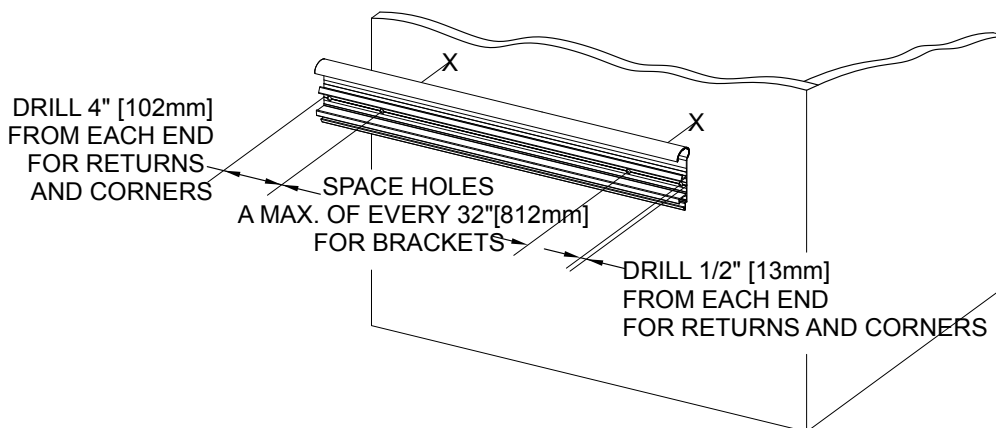


FIG. 2

2. Drill holes in centerline of aluminum retainer for brackets, returns and corners using 1/4" drill bit. Position aluminum retainer against wall at desired height allowing for returns and corners. Level and mark bracket holes on wall. Drill marked holes with 3/4" drill bit for toggle bolts (drywall installation) or 1/2" drill bit for lead anchor (concrete wall installation).

See Fig. 2.



IPC.1685/REV.1

Installation Instructions

1000/G2-1000/1000FVHandrail

3. Attach returns and corners to retainer leaving a 1/16" (1.5mm) gap between returns/corners and retainer to allow for adjustment. Loosely attach brackets to retainer. Mount on wall, level retainer and tighten screws to secure. See **Fig. 3**.

Note: See I000HR Reveal Installation Instructions to install reveals..

FIG. 3

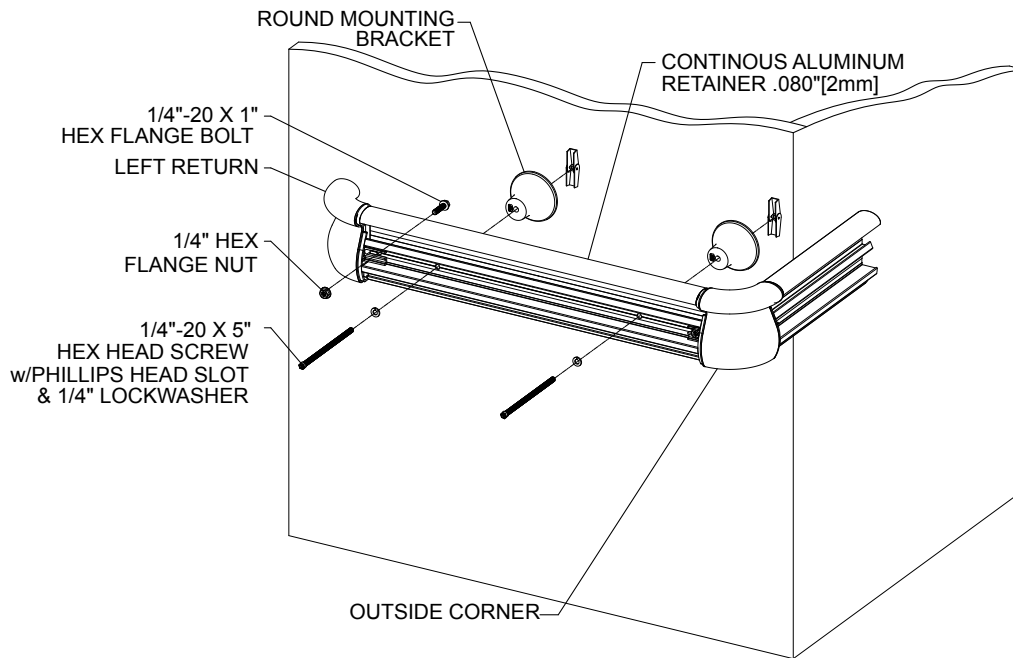
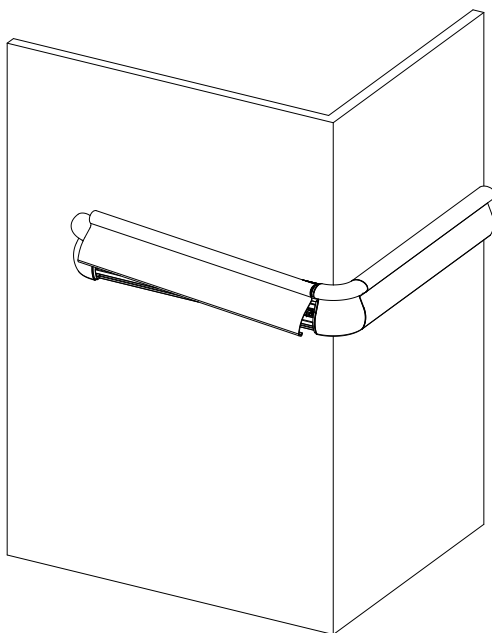


FIG. 4



4. Cut cover to length between returns and/or corners. (Note: Trim factory edges square before installation). Position cover on retainer and adjust returns and/or corners for a tight fit. Snap cover on retainer by starting at top and pivoting over the bottom of retainer. See **Fig. 4**.